

SCREW#11703-M
(ALUMINUM
TIN PLATED)

7/16-20 UNF - 2B x .562 DEEP (REF.)
(2 PLACES)

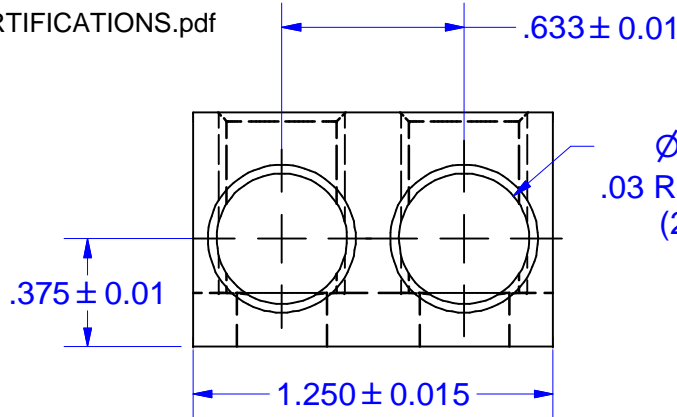
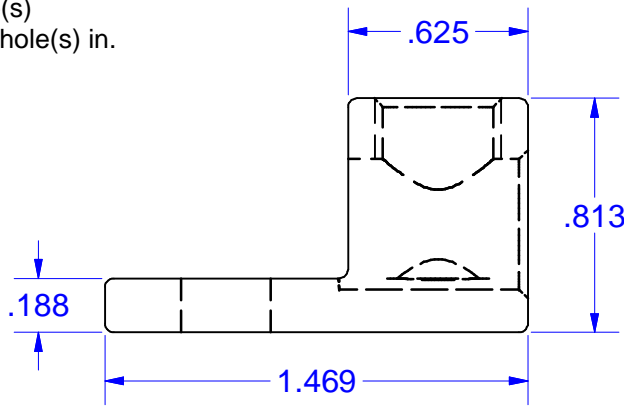
IHI UL/CSA Installation Guide to Drill or Enlarge Mounting Holes:
<https://lugdirect.com/PDF%20Documents/IHI-MTG-HOLE-FIELD-MODS-UL&CSA-CERTIFICATIONS.pdf>

Cat No. 2S2/0 Style No. 3

■ Drill, Enlarge, or Modify Mounting Holes

- 1) Increase hole(s) dia. to 7/16 bolt
- 2) Move location of mounting hole(s)
- 3) If buying blank lug, put custom hole(s) in.

■ Part is mounted with customer supplied (2 sets) 1/4" minimum grade 2 bolts, nuts, and (2) washers or (2 sets) M6 grade 8.8 bolts, nuts, and (2) washers, using the same typical tightening torque of 66in-lbf or 7.5 N-M. Zinc plated, non lubricated hardware. M7 hardware sets may also be used.



FLEX WIRE 1/0-14 AWG

MARKING: IHI, 2S2/0, UL, CU9AL, 2/0-14, CSA

NOT FOR USE WHERE FAILURE CREATES A HAZARD TO HUMAN HEALTH OR SAFETY. ALL PRODUCTS ARE SUBJECT TO THIS FULL DISCLAIMER: <http://www.ihiconnectors.com/disclaimer.html>

FOR FURTHER INFORMATION ON THE PROPER USE OF THIS PRODUCT IN SPECIFIC APPLICATIONS SEE <http://www.ihiconnectors.com/GuideToFlexFlexibleFineStrandedWireCableMechanicalLugsFAQ.html>

<http://www.ihiconnectors.com/Technical-Data-Installation.htm>

THIS DRAWING AND DESIGN ARE THE PROPERTY OF INTERNATIONAL HYDRAULICS, INC., CLEVELAND, OHIO, AND MAY NOT BE DUPLICATED, USED FOR THE BASIS OF DESIGN OR MANUFACTURE WITHOUT THE WRITTEN PERMISSION OF INTERNATIONAL HYDRAULICS, INC., CLEVELAND, OHIO.		INTERNATIONAL HYDRAULICS, INC.		
GENERAL TOLERANCES ±.015 (±0.038)		TITLE: 2S2/0-31-42-HEX-M CONNECTOR		
MATERIAL: 6061-T6 (1075)	SIZE:	DRAWN BY: TDS	DWG NO.: 2S2/0-31-42(SALES)	REV: 1
FINISH: TIN PLATE EMS	DATE: 8/20/09	THIS IS A CAD DRAWING, DO NOT MANUALLY REVISE		